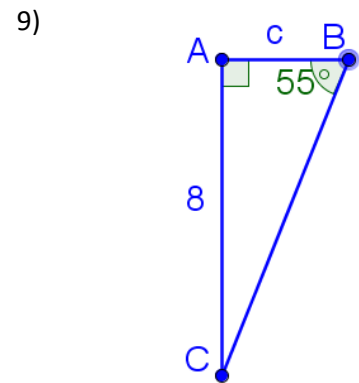
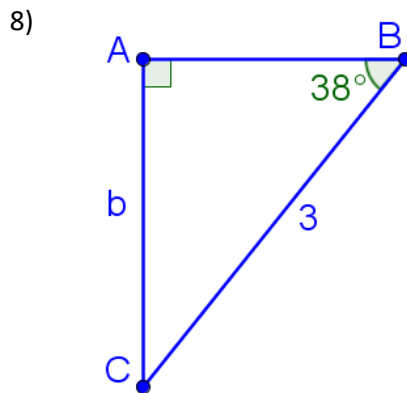
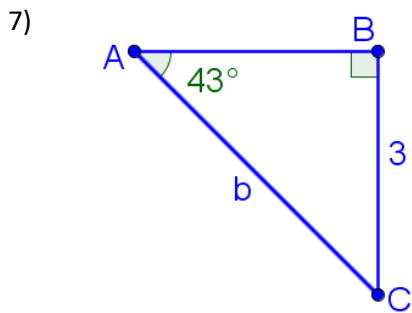
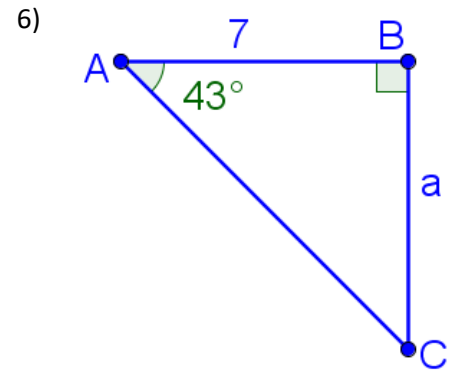
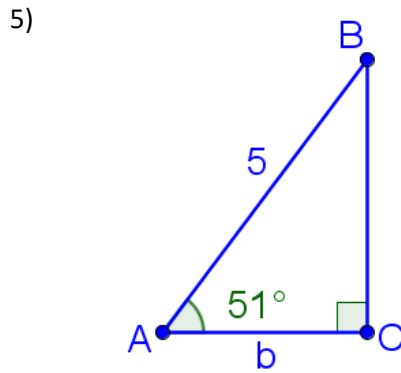
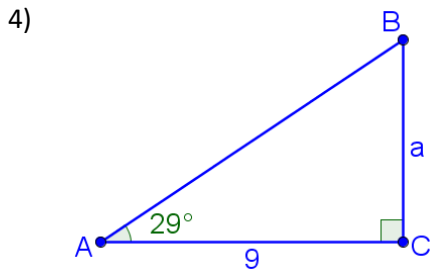
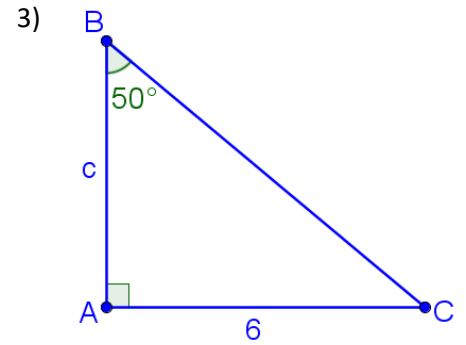
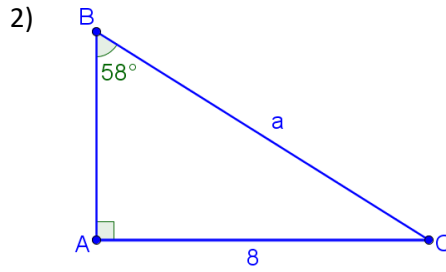
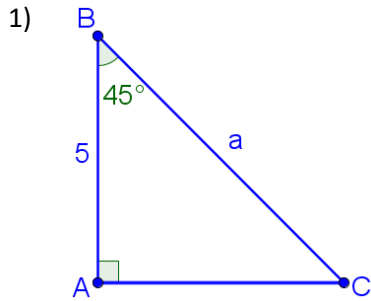


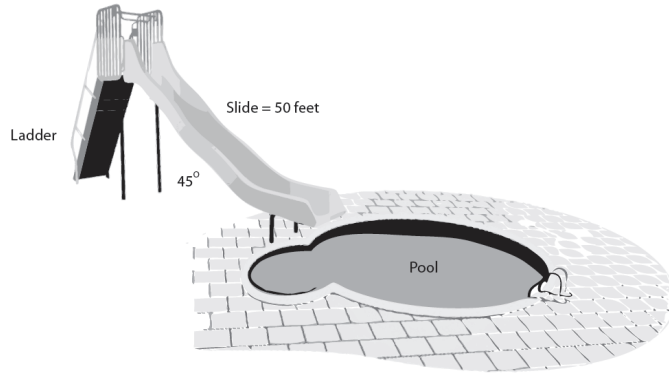
Name: _____

SM2 8.4: Find Missing Side with Trig

Find the missing side of each $\triangle ABC$.



- 10) A water park has a straight slide into a deep pool. The slide is 50 feet long. It rises from the pool at an angle of 45° . How tall do the vertical supports of the platform need to be to support the platform at the top of the slide, to the nearest thousandth?



- 11) The drawing below shows a ladder against a wall. How high on the wall does the ladder reach, to the nearest thousandth?

